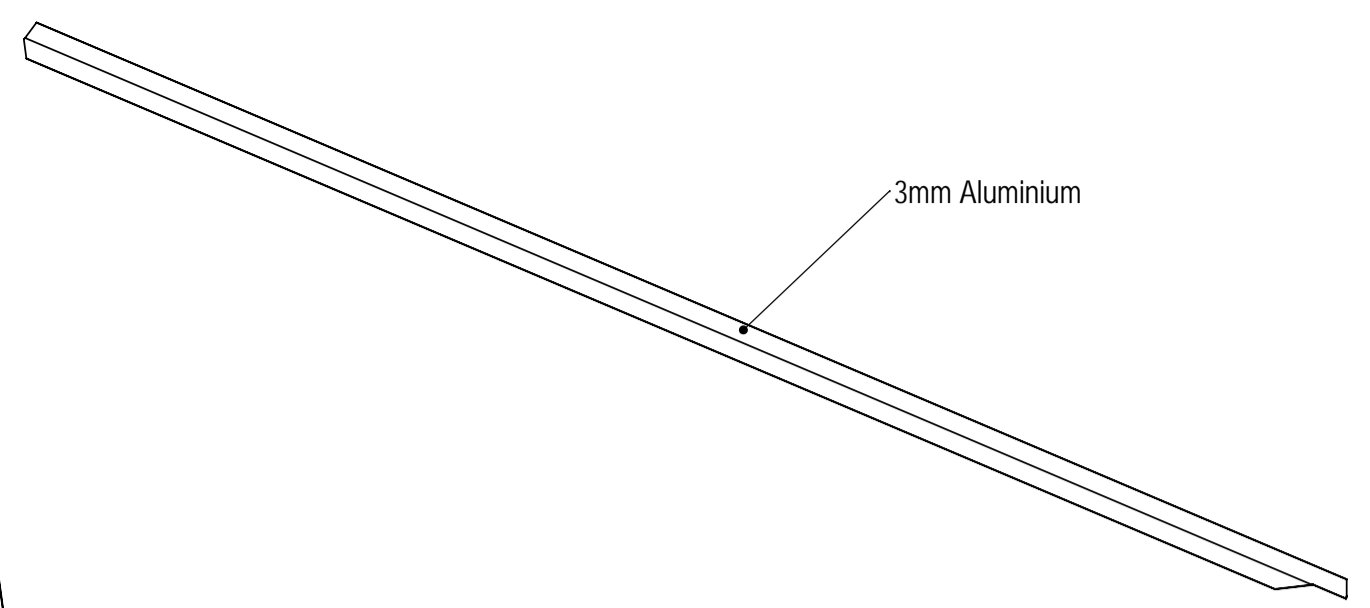


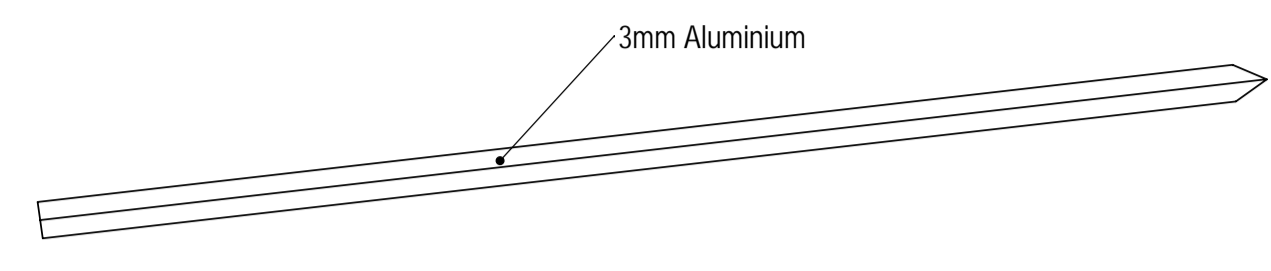
Roof Panel 13 A
 Scale 1:10 @ A1

3mm 90/10 Gliding Metal Soffit (Brass/Zinc)



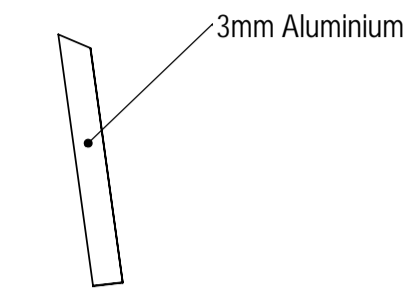
Valley 12-13
 Scale 1:10 @ A1

3mm Aluminium



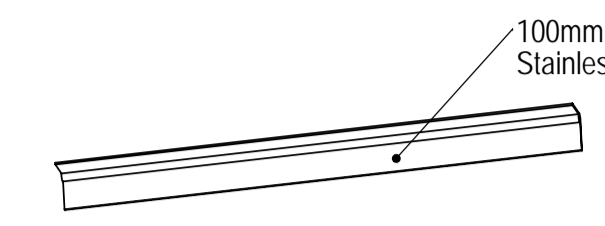
Hill 13-14
 Scale 1:10 @ A1

3mm Aluminium



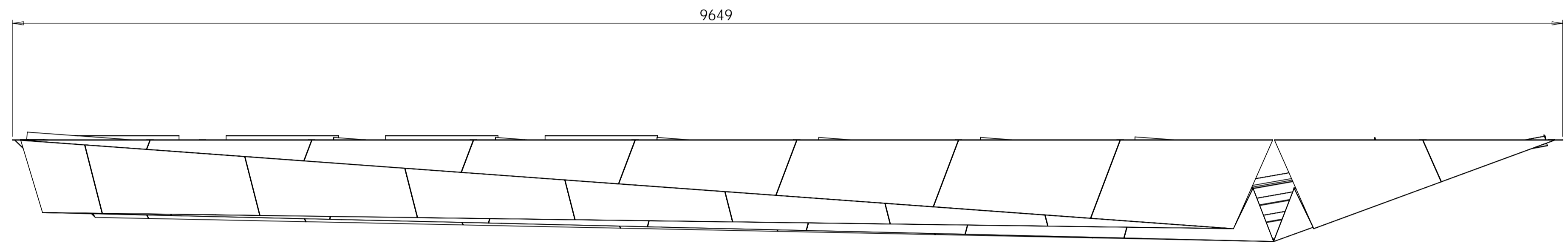
Straight 13
 Scale 1:10 @ A1

3mm Aluminium

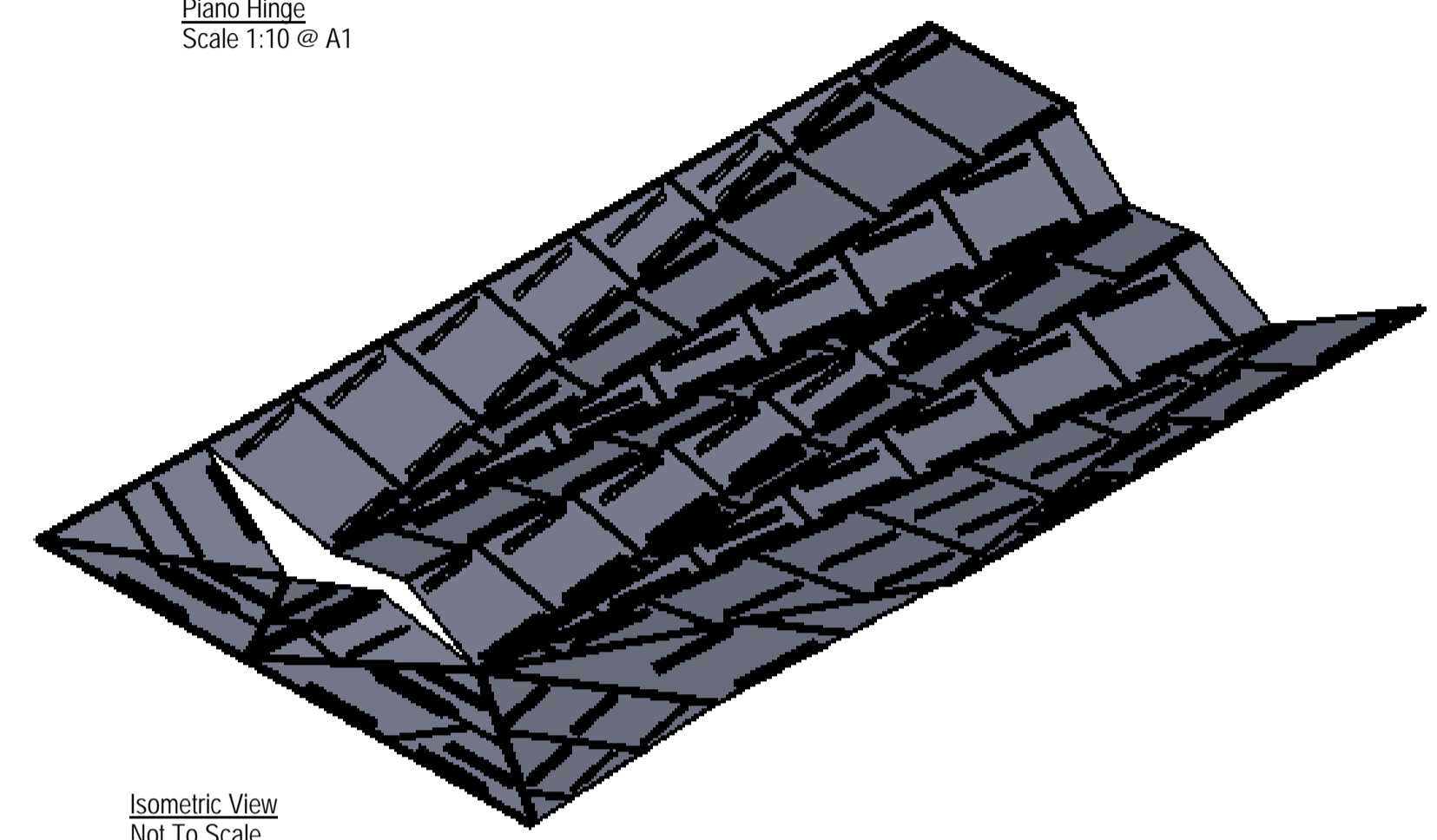


Piano Hinge
 Scale 1:10 @ A1

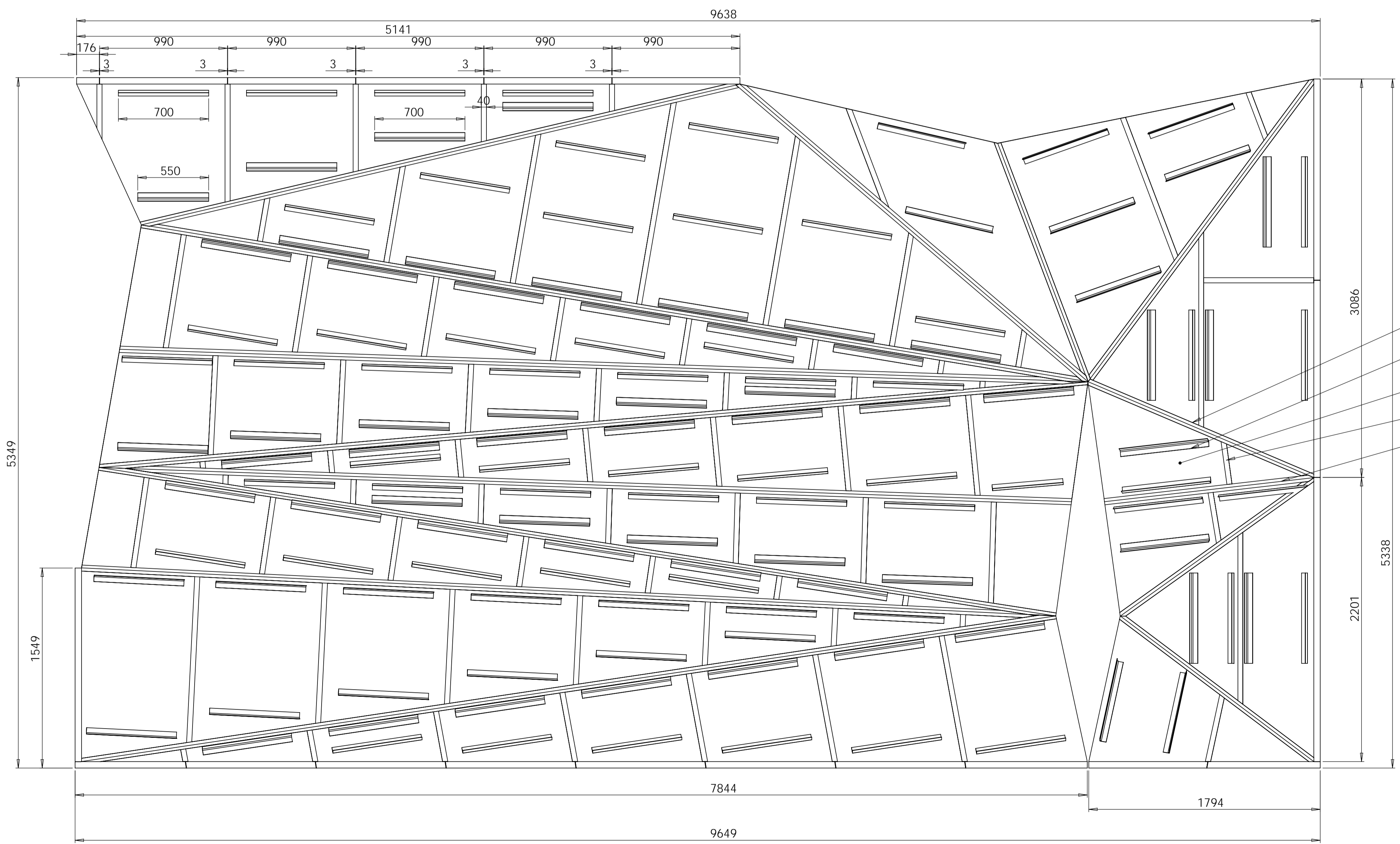
100mm Open Width
 Stainless Steel Piano Hinge



Front Elevation
 Scale 1:20 @ A1

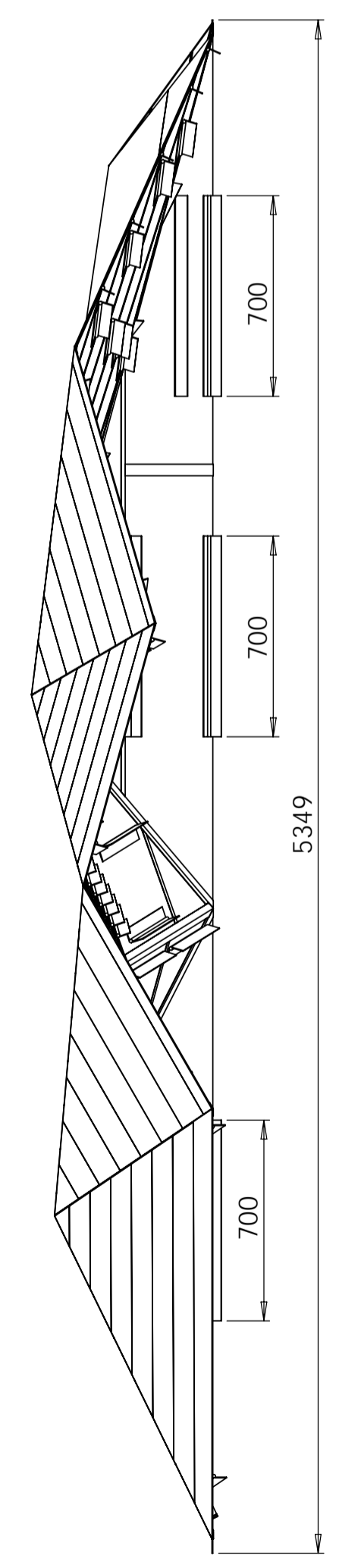


Isometric View
 Not To Scale



Plan
 Scale 1:20 @ A1

- Valley 12-13
- Piano Hinge
- Roof Panel 13A
- Straight 13
- Hill 13-14



Side Elevation
 Scale 1:20 @ A1